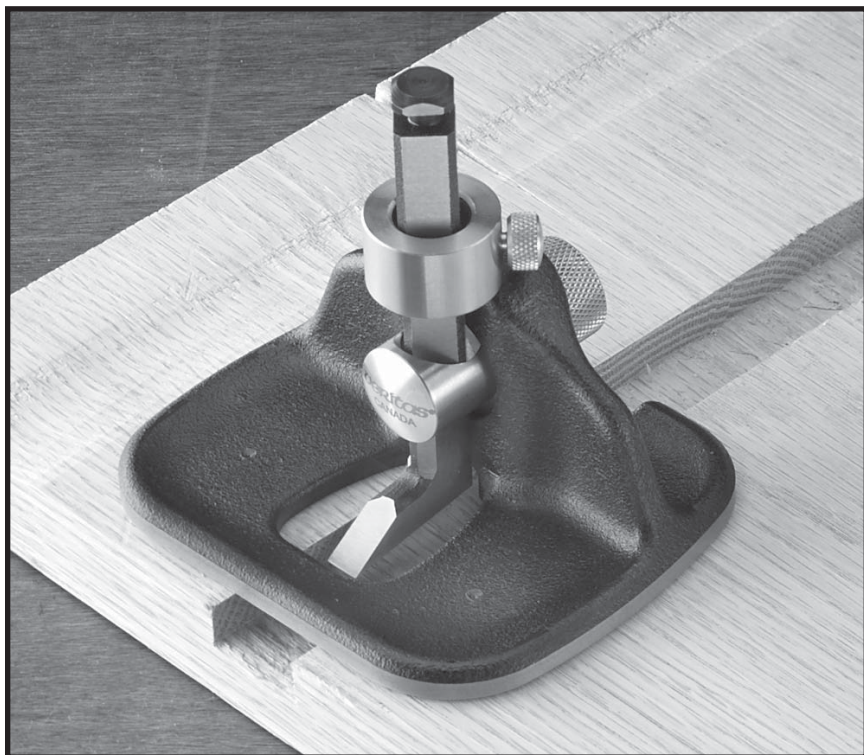


veritas®

Medium Router Plane



05P38.60

The Veritas® Medium Router Plane is indispensable for any work that requires an area cut to a precise and consistent depth, such as recesses for installing hinges and lock strikes, or inlay work. It has been designed to accept the full range of blades available for use with the Veritas Router Plane (05P38.01).

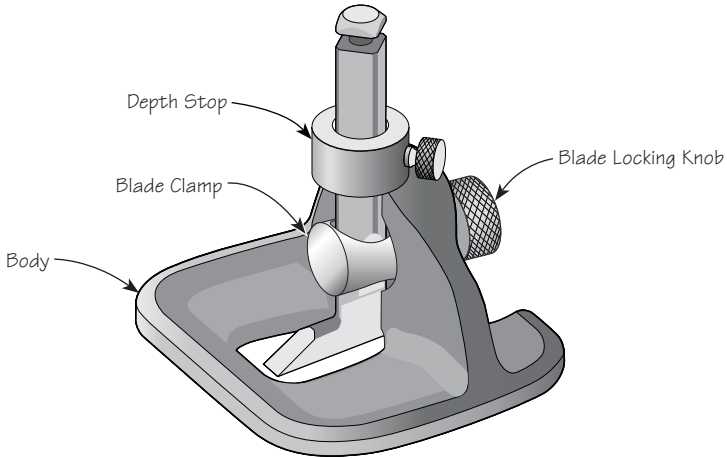



Figure 1: Medium router plane components. (Blade sold separately.)

Blade Adjustment

 **Caution:** Be aware that the blade is sharp; careless handling can result in serious injury.

To initially set the blade, back off the locking knob, then feed the blade up through the clamping mechanism from the bottom of the plane. Spring pressure will prevent the blade from falling free while setting the depth of cut to an established dimension or incrementally while creating a cut. Tighten the locking knob to secure the blade.

Blade Orientation

The blade may be positioned inboard for regular closed-throat use (**Figure 2**) or outboard for true bullnose work (**Figure 3**), where the cutting edge of the blade extends beyond the body. To switch from one orientation to another, loosen the locking knob, remove the blade, and withdraw the blade clamping mechanism. Position the blade clamping mechanism in the desired orientation, reinstall the blade, and tighten the locking knob.

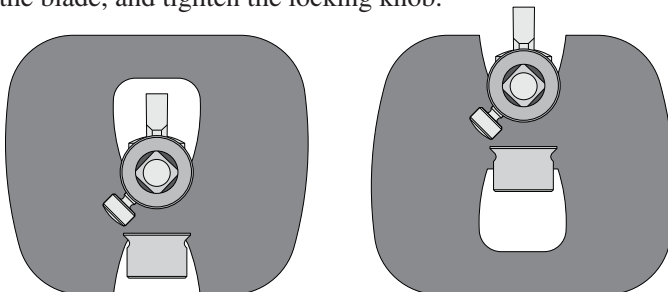


Figure 2: Inboard blade orientation. Figure 3: Outboard blade orientation.

Setting the Depth Stop

With the blade set to the desired depth of the final cut, slide the depth stop down until it contacts the body, and tighten the knob.

Tip: When installing hardware, it is best to set the blade depth, not with a measurement, but by using the actual hardware (see **Figure 4**).

Raise the blade up to its starting position. Advance the blade ever so slightly with each successive cut until the depth stop contacts the body.

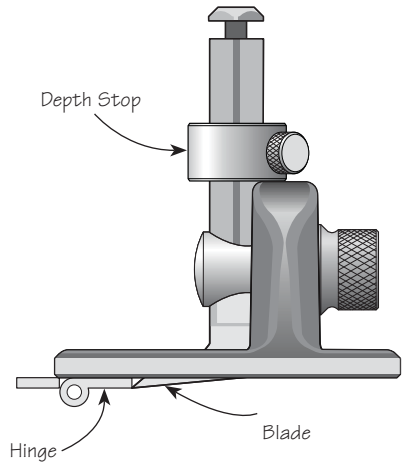


Figure 4: Setting depth stop.

Care and Maintenance

The body of this plane is ductile cast iron and comes treated with rust preventative. Remove this using a rag dampened with mineral spirits. Clean all machined surfaces.

We recommend that you initially, then periodically, apply a light coat of silicone-free paste wax to seal out moisture and prevent rusting (as well as act as a lubricant for smoother planing). Wipe off any wood dust from the surfaces that you will be waxing, apply a light wax coating, let dry, then buff with a clean soft cloth. At the same time, the solvents in the wax will remove any harmful oils left from your fingers that can lead to corrosion.

Before treating a plane with a sealant, wipe off any fingerprints with a cloth dampened with a small amount of light machine oil. Remove any residual oil; then apply the sealant to the plane's sole.

If storage conditions are damp or humid, the plane should, in addition to the treatment outlined above, be wrapped in a cloth or stored in a plane sack. This precaution will also guard against dings and scratches.

Every so often, clean all parts with a cloth dampened with a dab of light machine oil and lubricate where necessary. For corroded plane bodies, we recommend you first remove the rust with a fine rust eraser, and then treat as described above.

The bright finish on the brass components can be maintained as above. If a patina finish is preferred, simply leave the brass components unprotected until the desired level of oxidation has occurred, then apply a sealant. If you want to make them bright and shiny again, you can revitalize the surface with a brass polish.

Accessories

- 05P38.21** 1/16" Narrow Straight Blade
- 05P38.23** 3/32" Narrow Straight Blade
- 05P38.24** 1/8" (3mm) Narrow Straight Blade
- 05P38.26** 3/16" Narrow Straight Blade
- 05P38.03** 1/4" Narrow Straight Blade
- 05P38.04** 1/2" Wide Straight Blade
- 05P38.05** 1/2" Wide Pointed Blade
- 05P38.71** 3/4" Wide Straight Blade
- 05P38.32** 2mm Narrow Straight Blade
- 05P38.34** 4mm Narrow Straight Blade
- 05P38.35** 5mm Narrow Straight Blade
- 05P38.36** 6mm Narrow Straight Blade

veritas[®]Tools Inc.

814 Proctor Avenue 1090 Morrison Drive
Ogdensburg NY 13669-2205 Ottawa ON K2H 1C2
United States Canada

customerservice@veritastools.com

www.veritastools.com